

IMAGE



**XLT**  
SmartSolutions™

MODEL

**3240**

H-version

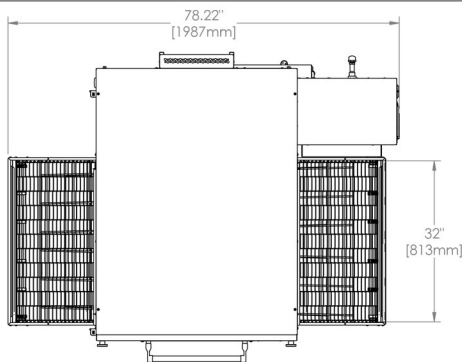
SIZE

**32" WIDE CONVEYOR  
40" LONG BAKE CHAMBER**

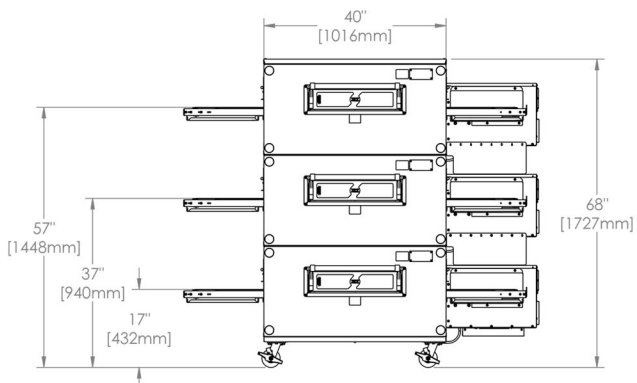
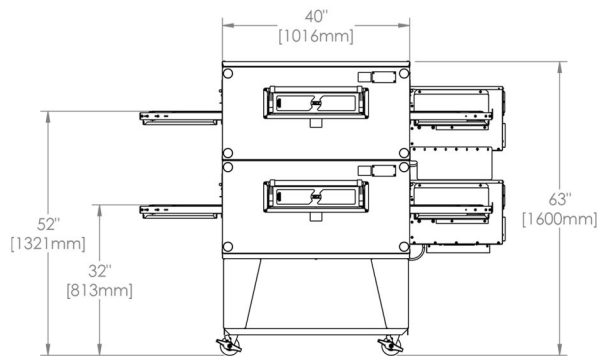
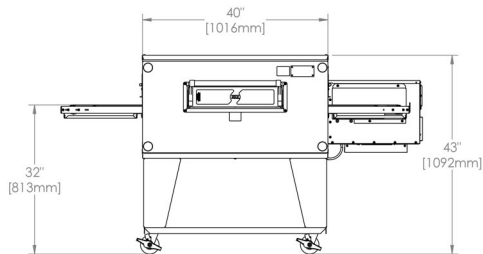
TYPE

**GAS & ELECTRIC**

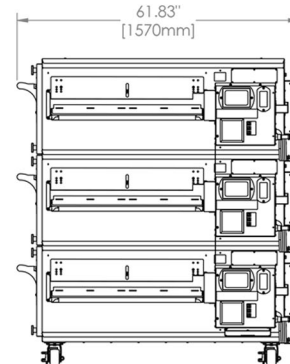
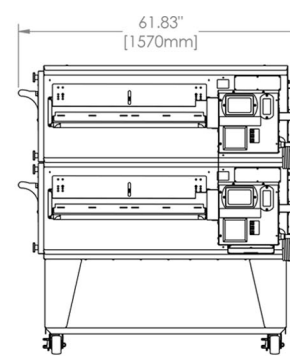
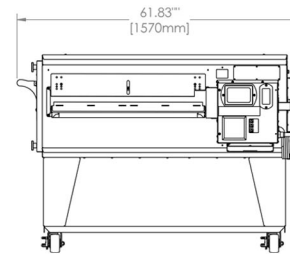
TOP VIEW



FRONT VIEWS



SIDE VIEWS



# 3240

MODEL

H-version



### DATA SHEET

## 3240H GAS OVEN

#### Heating Value

Standard	World		
	Natural	Propane	Butane
125,000 BTU/Hr	36.60 Kw/Hr	36.60 Kw/Hr	39.50 Kw/Hr
	131.88 Mj/Hr	131.88 Mj/Hr	

#### Electrical Requirement

Standard	World
120 VAC, 4.8 Amps, 50/60 Hz	220/230/240 VAC Option, 3 Amps, 50/60 Hz

#### Inlet Pressure Range

	W/C	mbar	kPa	kPa (Korea)
Natural Gas	6-14	15-35	1.50 - 3.50	1.50 - 2.50
Propane Gas	11 - 14	27.5 - 35	2.75 - 3.50	2.30 - 3.30

#### Manifold Pressure Range

	W/C	mbar	kPa
Natural Gas	3.5	8.75	0.875
Propane Gas	10	25	2.50

#### Oven Weight

Oven Only	Single (1 crate)		Double (2 crates)		Triple (3 crates)	
	lbs	kg	lbs	kg	lbs	kg
	817	371	1483	673	2005	909

## 3240H ELECTRIC OVEN

#### Electrical Requirement

	Standard	World
VAC	208/240 VAC	380/415 VAC
Amps	82/65 Amps	51/44 Amps
Hz	60 Hz	50 Hz
Wire Service	4 Wire Service - L1, L2, L3 +1 Ground (per oven)	5 Wire Service - L1, L2, L3 N+2 Grounds (per oven)
Phase	3 Phase	3 Phase
Kw	27 Kw	27/31 Kw

#### Oven Weight

Oven Only	Single (1 crate)		Double (2 crates)		Triple (3 crates)	
	lbs	kg	lbs	kg	lbs	kg
	843	382	1533	695	2185	991

## OVEN & HOOD WARRANTY

USA & Canada (Parts & Labor)	International (Parts & Labor)
<b>10</b> Years   Oven & Hood Combo Purchase*	<b>7</b> Years   Oven & Hood Combo Purchase
7 Years   Standard	5 Years   Standard

\*Pre-piped ANSUL system must be purchased on each oven and hood



Website: [www.coffeebreak.co.za](http://www.coffeebreak.co.za)  
 Email: [admin@coffeebreak.co.za](mailto:admin@coffeebreak.co.za)  
 Whatsapp: +27827776770